



Matrix System
Workstation * U LEG

Reference



(SA 0091847-K)
T : 016-337 6818
F : 03-8062 1098 / 5634 8332
W : www.despaceoffice.com
This Drawing is Copyrighted.



Matrix System Workstation

* Azzolla Series

* U LEG

Reference



(SA 0091847-K)

T : 016-337 6818

F : 03-8062 1098 / 5634 8332

W : www.despaceoffice.com

This Drawing is Copyrighted.



Matrix System Workstation

*** Azzolla Series**

*** U LEG**

Reference



(SA 0091847-K)

T : 016-337 6818

F : 03-8062 1098 / 5634 8332

W : www.despaceoffice.com

This Drawing is Copyrighted.



Matrix System
SQUARE LEG
(* chrome)
*** Price higher**



(SA 0091847-K)
T : 016-337 6818
F : 03-8062 1098 / 5634 8332
W : www.despaceoffice.com
This Drawing is Copyrighted.



20mm Desking Partition

REFERENCE

DE SPACE
OFFICE SYSTEM
(SA 0091847-K)
T : 016-260 3208 / 016-337 6818
F : 03-5634 8332 / 03-8062 1098
W : www.despaceoffice.com
This Drawing is Copyrighted.

20mm Desking Partition



WORKSTATION c/w U METAL LEG



REFERENCE

DE SPACE
OFFICE SYSTEM
(SA 0091847-K)

T : 016-260 3208 / 016-337 6818
F : 03-5634 8332 / 03-8062 1098
W : www.despaceoffice.com

This Drawing is Copyrighted.



TABLE c/w MATRIX SQUARE METAL LEG

REFERENCE



(SA 0091847-K)

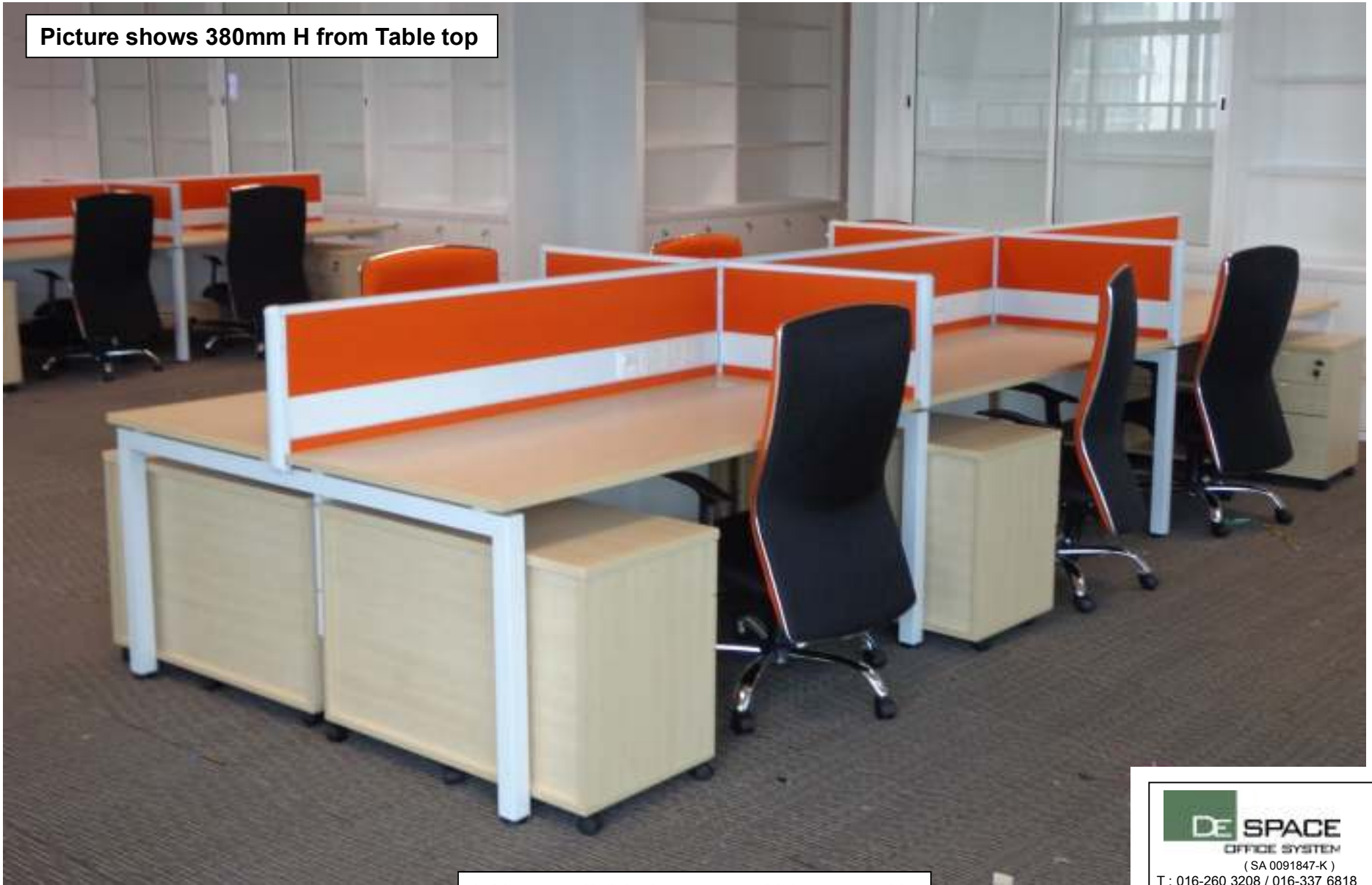
T : 016-260 3208 / 016-337 6818

F : 03-5634 8332 / 03-8062 1098

W : www.despaceoffice.com

This Drawing is Copyrighted.

Picture shows 380mm H from Table top



WORKSTATION c/w U METAL LEG

*** Also available in 300mm H / 450mm H
From Table top**

REFERENCE

DE SPACE
OFFICE SYSTEM

(SA 0091847-K)

T : 016-260 3208 / 016-337 6818

F : 03-5634 8332 / 03-8062 1098

W : www.despaceoffice.com

This Drawing is Copyrighted.



WORKSTATION c/w U METAL LEG

REFERENCE

DE SPACE
OFFICE SYSTEM
(SA 0091847-K)

T : 016-260 3208 / 016-337 6818

F : 03-5634 8332 / 03-8062 1098

W : www.despaceoffice.com

This Drawing is Copyrighted.

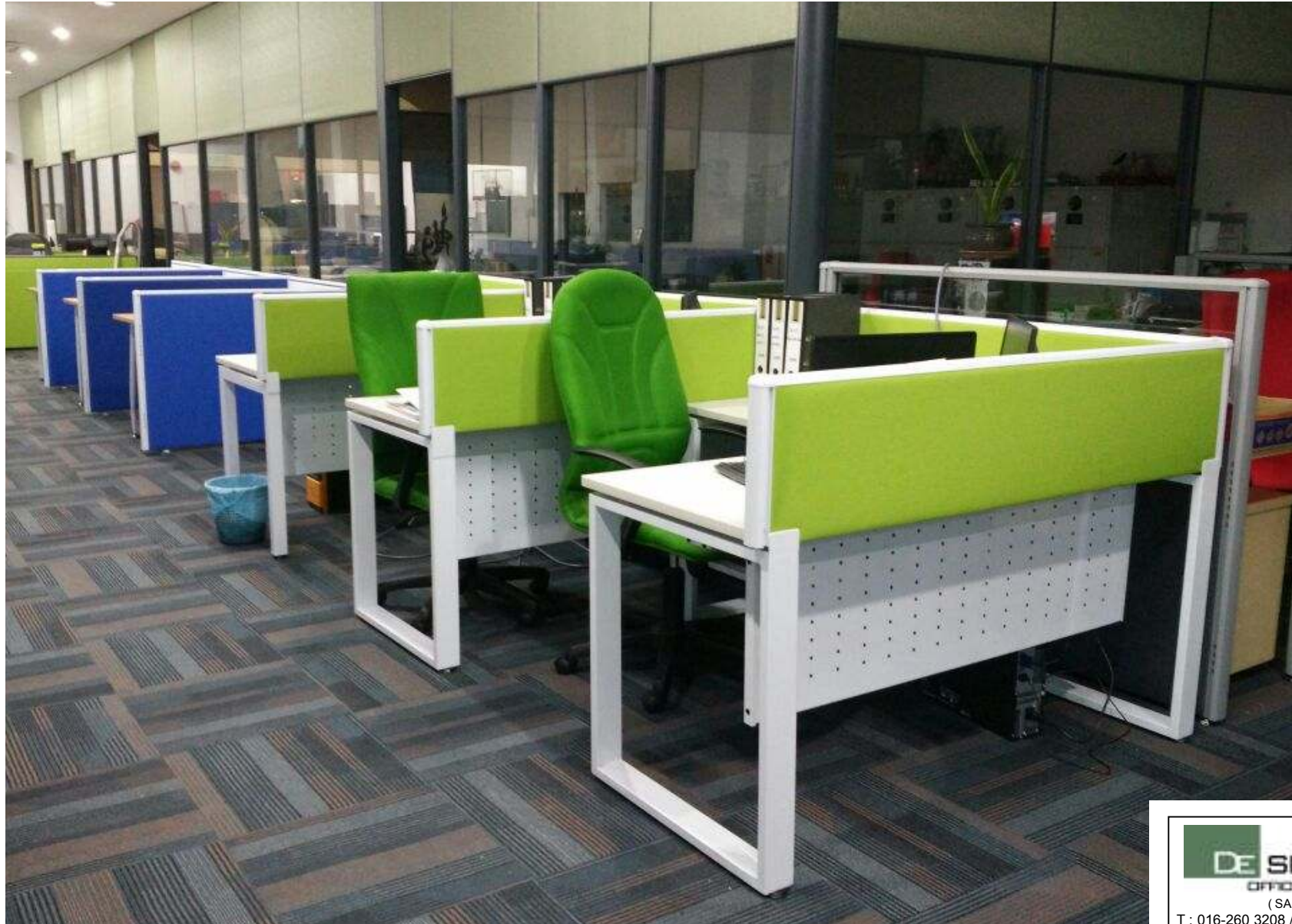


TABLE c/w MATRIX SQUARE METAL LEG

REFERENCE

DE SPACE
OFFICE SYSTEM
(SA 0091847-K)

T : 016-260 3208 / 016-337 6818
F : 03-5634 8332 / 03-8062 1098
W : www.despaceoffice.com

This Drawing is Copyrighted.



TABLE c/w MATRIX U LEG

REFERENCE



(SA 0091847-K)

T : 016-260 3208 / 016-337 6818

F : 03-5634 8332 / 03-8062 1098

W : www.despaceoffice.com

This Drawing is Copyrighted.



WORKSTATION c/w U METAL LEG

REFERENCE



(SA 0091847-K)

T : 016-260 3208 / 016-337 6818

F : 03-5634 8332 / 03-8062 1098

W : www.despaceoffice.com

This Drawing is Copyrighted.



WORKSTATION c/w U METAL LEG

REFERENCE

DE SPACE
OFFICE SYSTEM

(SA 0091847-K)

T : 016-260 3208 / 016-337 6818

F : 03-5634 8332 / 03-8062 1098

W : www.despaceoffice.com

This Drawing is Copyrighted.



WORKSTATION c/w U METAL LEG

REFERENCE

DE SPACE
OFFICE SYSTEM
(SA 0091847-K)

T : 016-260 3208 / 016-337 6818
F : 03-5634 8332 / 03-8062 1098
W : www.despaceoffice.com

This Drawing is Copyrighted.



WORKSTATION c/w U METAL LEG

REFERENCE



(SA 0091847-K)

T : 016-260 3208 / 016-337 6818

F : 03-5634 8332 / 03-8062 1098

W : www.despaceoffice.com

This Drawing is Copyrighted.



WORKSTATION c/w U METAL LEG

REFERENCE



(SA 0091847-K)

T : 016-260 3208 / 016-337 6818

F : 03-5634 8332 / 03-8062 1098

W : www.despaceoffice.com

This Drawing is Copyrighted.



WORKSTATION c/w U METAL LEG

REFERENCE



(SA 0091847-K)

T : 016-260 3208 / 016-337 6818

F : 03-5634 8332 / 03-8062 1098

W : www.despaceoffice.com

This Drawing is Copyrighted.

REFERENCE



WORKSTATION c/w U METAL LEG



DE SPACE
OFFICE SYSTEM
(SA 0091847-K)
T : 016-260 3208 / 016-337 6818
F : 03-5634 8332 / 03-8062 1098
W : www.despaceoffice.com
This Drawing is Copyrighted.

REFERENCE



WORKSTATION c/w U METAL LEG



(SA 0091847-K)
T : 016-260 3208 / 016-337 6818
F : 03-5634 8332 / 03-8062 1098
W : www.despaceoffice.com

This Drawing is Copyrighted.



WORKSTATION c/w U METAL LEG

REFERENCE



T : 016-260 3208 / 016-337 6818
F : 03-5634 8332 / 03-8062 1098
W : www.despaceoffice.com

This Drawing is Copyrighted.

Office Furniture (Meeting Table)

*** OPTIONAL ITEMS**



Wire holder (Silver colour)



Wire Management (Metal) (Silver colour)

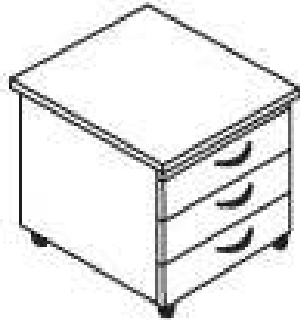
300W x 50D x 725H mm



(SA 0091847-K)
T : 016-260 3208 / 016-337 6818
F : 03-5634 8332 / 03-8062 1098
W : www.despaceoffice.com

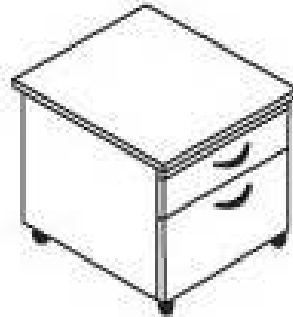
This Drawing is Copyrighted.

*** MOBILE PEDESTAL (LOW)**

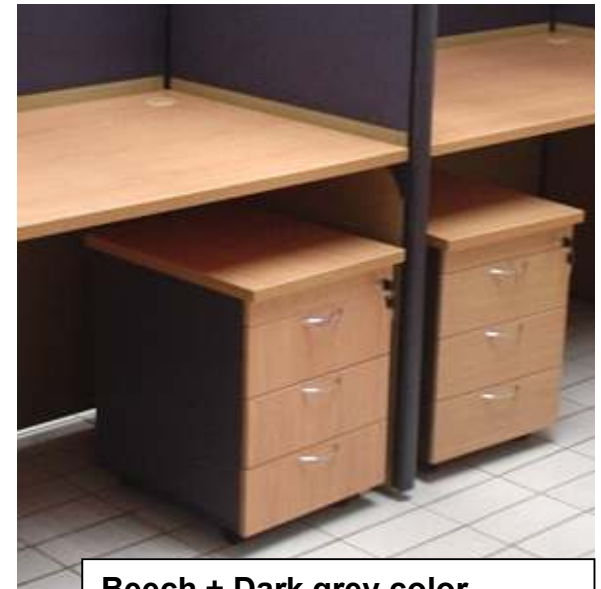


**3D MOBILE PEDESTAL
FO ~ 3D ~ 410L x 500D x 560H**

*** Slightly Expensive
than 3D**



**2D MOBILE PEDESTAL
FO ~ 2D ~ 410L x 500D x 560H**



Beech + Dark grey color



Fully White color

**(Low) 3D Mobile Pedestal
(410L x 500D x 560H) mm**



Light Grey + Dark grey color



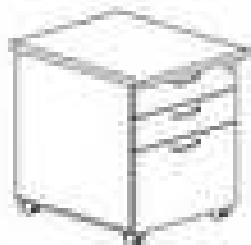
Fully Maple color



(SA 0091847-K)
T : 016-260 3208 / 016-337 6818
F : 03-5634 8332 / 03-8062 1098
W : www.despaceoffice.com

This Drawing is Copyrighted.

*** MOBILE PEDESTAL (High)**



MOBILE PEDESTAL 2D+1F
FO - 2D+1F 410W x 500D x 640H



MOBILE PEDESTAL 4D
FO - 4D 410W x 500D x 640H

More Expensive
han 2D & 3D

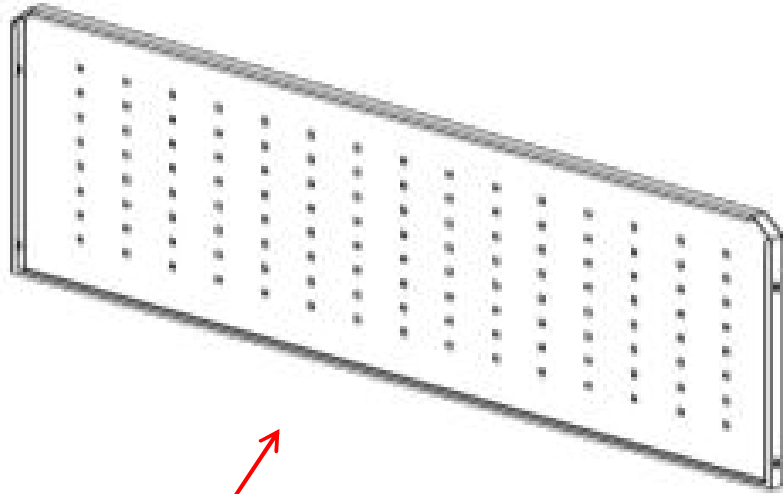


(SA 0091847-K)
T : 016-260 3208 / 016-337 6818
F : 03-5634 8332 / 03-8062 1098
W : www.despaceoffice.com

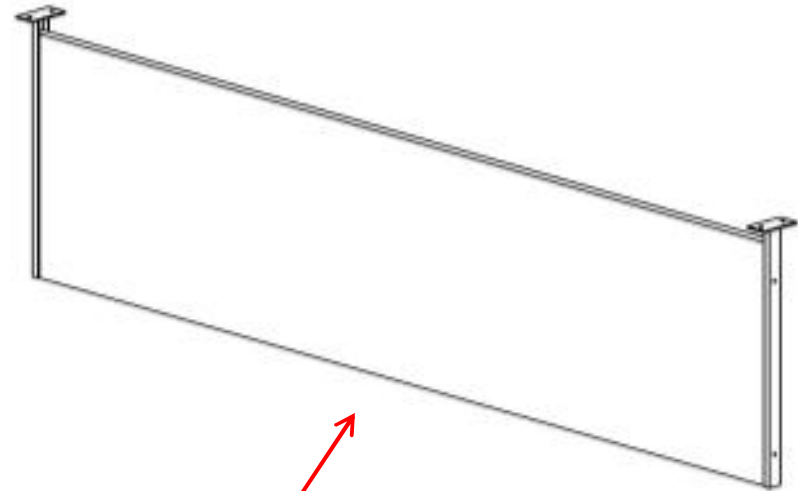
This Drawing is Copyrighted.

Office Furniture (Meeting Table)

*** OPTIONAL ITEMS**



Perforated Modesty Panel (Metal)



Modesty Panel (Chipboard Panel)



(SA 0091847-K)

T : 016-260 3208 / 016-337 6818

F : 03-5634 8332 / 03-8062 1098

W : www.despaceoffice.com

This Drawing is Copyrighted.

Picture shows 380mm H from Table top
* Also available in 300mm H / 450mm H
From Table top



 FABRIC COLOUR
Fox 207

AZOLLA CONCEPT

CLUSTER OF 6 WORKSTATION c/w U METAL LEG

REFERENCE


DE SPACE
OFFICE SYSTEM

(SA 0091847-K)

T : 016-260 3208 / 016-337 6818

F : 03-5634 8332 / 03-8062 1098

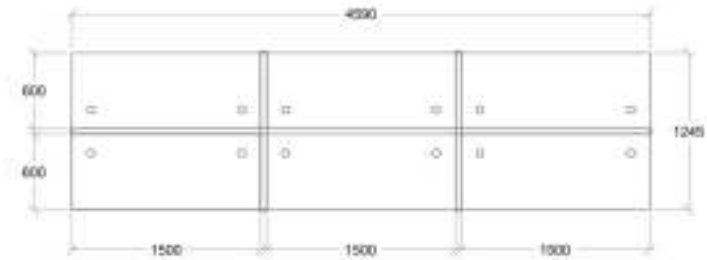
W : www.despaceoffice.com

This Drawing is Copyrighted.



AZOLLA CONCEPT

GIVING MORE PLANNING FLEXIBILITY AND MAKING VERTICAL SPACE MORE EFFICIENT. FOR TEAMS THAT NEED TO WORK TOGETHER CLOSELY.



CLUSTER OF 6 WORKSTATION c/w U METAL LEG

Picture shows 380mm H from Table top
 * Also available in 300mm H / 450mm H
 From Table top

REFERENCE

DE SPACE
 OFFICE SYSTEM
 (SA 0091847-K)
 T : 016-260 3208 / 016-337 6818
 F : 03-5634 8332 / 03-8062 1098
 W : www.despaceoffice.com
This Drawing is Copyrighted.

WORKSTATION

20mm Thick Desking Panel



T : 016-337 6818
F : 03-5634 8332
w : www.despaceoffice.com
This Drawing is Copyrighted.

WORKSTATION



DE SPACE
OFFICE SYSTEM
(SA 0091847-K)

T : 016-337 6818

F : 03-5634 8332

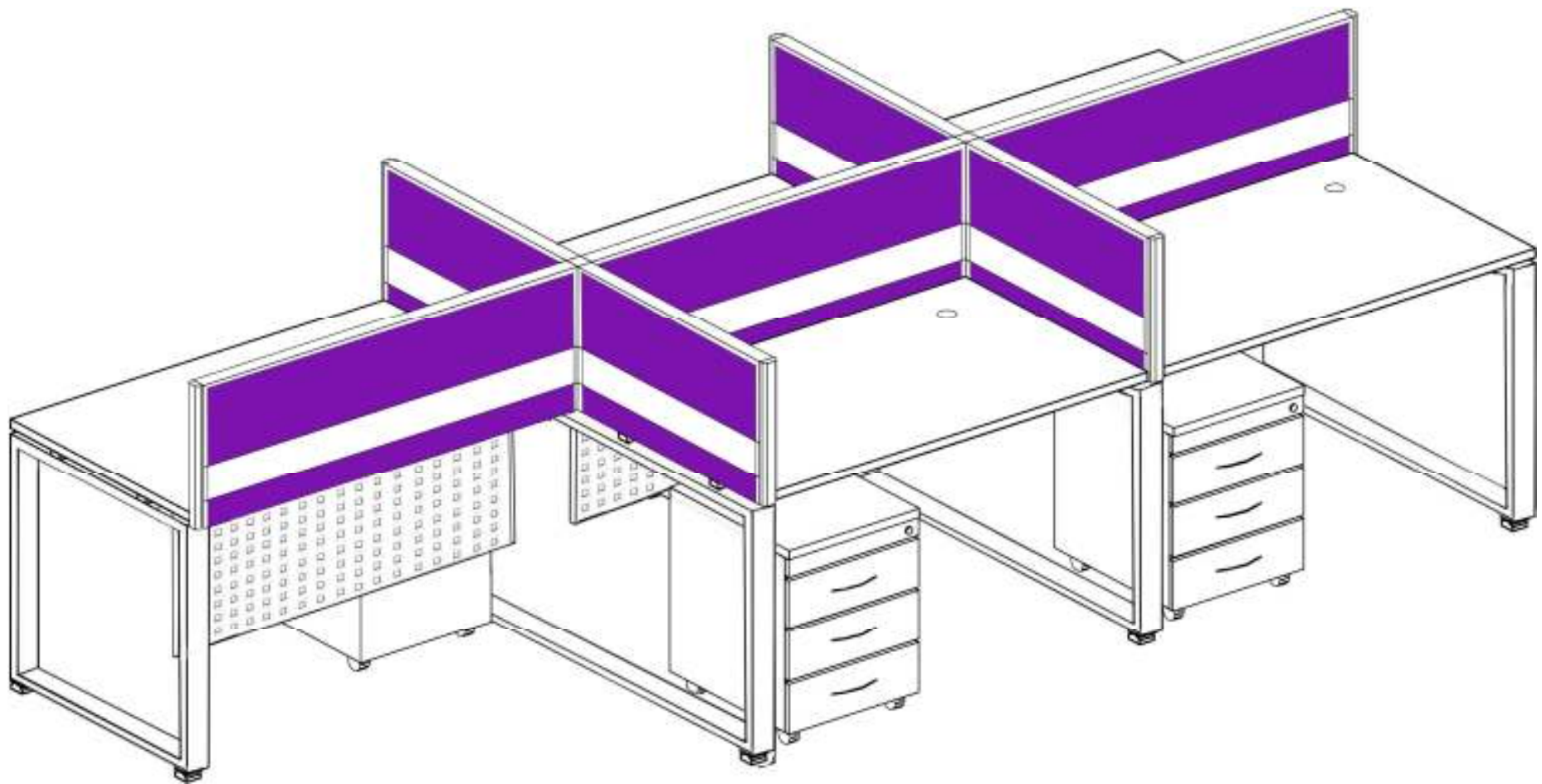
w : www.despaceoffice.com

This Drawing is Copyrighted.

WORKSTATION



DE SPACE
OFFICE SYSTEM
(SA 0091847-K)
T : 016-337 6818
F : 03-5634 8332
w : www.despaceoffice.com
This Drawing is Copyrighted.



Cluster of 5

TABLE c/w MATRIX SQUARE METAL LEG

REFERENCE



(SA 0091847-K)

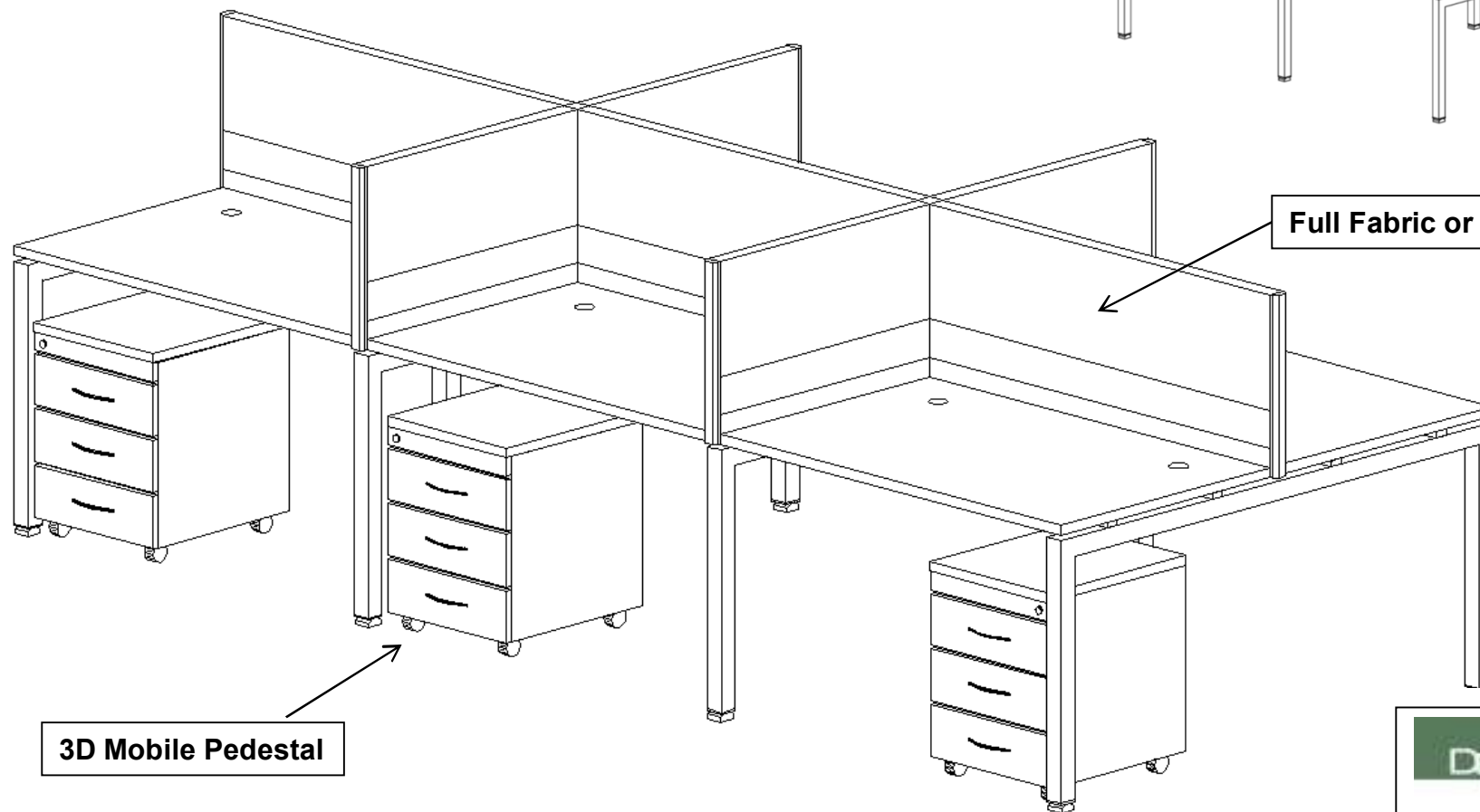
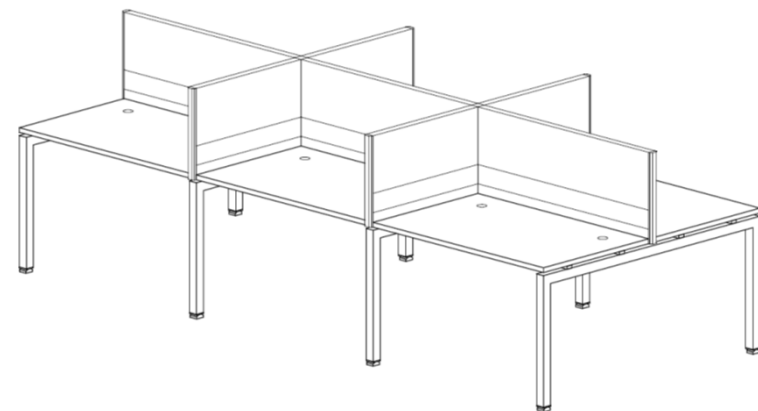
T : 016-260 3208 / 016-337 6818

F : 03-5634 8332 / 03-8062 1098

W : www.despaceoffice.com

This Drawing is Copyrighted.

Sketch shows 450mm H from Table top
* Also available in 300mm H From Table top
* or Custom Height



Full Fabric or Half Glass

3D Mobile Pedestal

CLUSTER OF 6 WORKSTATION c/w U METAL LEG

REFERENCE

DE SPACE
OFFICE SYSTEM
(SA 0091847-K)
T : 016-260 3208 / 016-337 6818
F : 03-5634 8332 / 03-8062 1098
W : www.despaceoffice.com
This Drawing is Copyrighted.